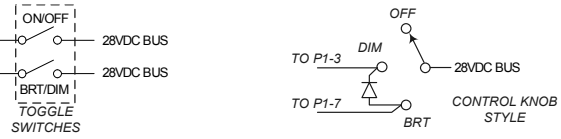
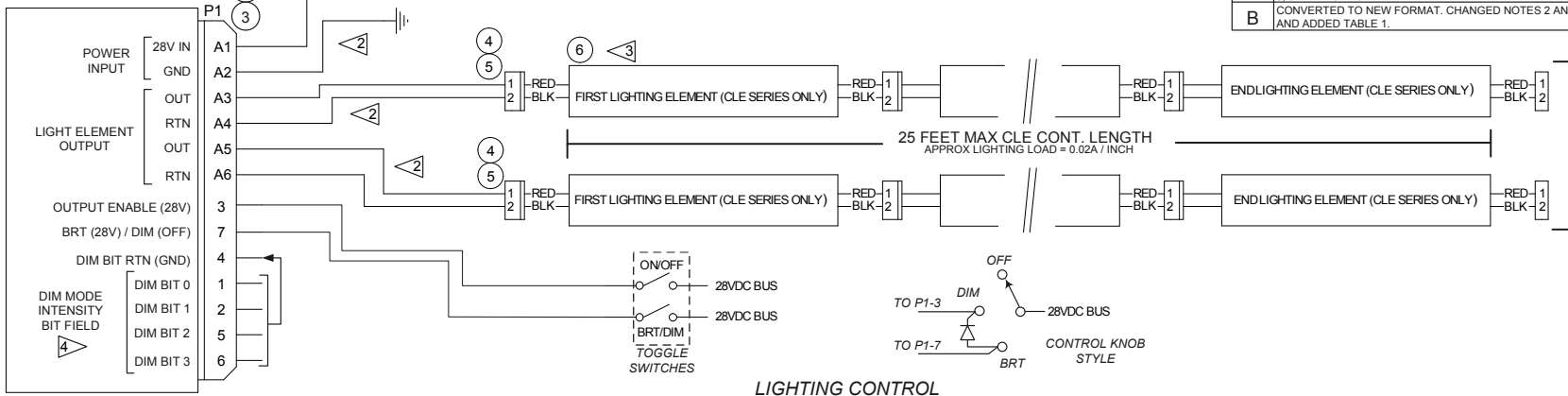


HEADS UP TECHNOLOGIES PROPRIETARY  
 THE INFORMATION CONTAINED HEREIN IS PROPRIETARY TO HEADS UP TECHNOLOGIES, INC. AND SHALL NOT BE DISCLOSED IN WHOLE OR IN PART OR USED FOR ANY PURPOSE EXCEPT WHEN SUCH USER POSSESSES DIRECT WRITTEN AUTHORIZATION FROM HEADS UP TECHNOLOGIES, INC.

REVISIONS			
REV	DESCRIPTION	DATE	APPROVED
A	MORE INFO ADDED TO NOTE 1 AND 2. ADDED REF ITEMS 8, 9 AND NOTE 5.	03/03/03	JDH
B	CONVERTED TO NEW FORMAT. CHANGED NOTES 2 AND 4 AND ADDED TABLE 1.	01/19/07	JDH



**LIGHTING CONTROL EXAMPLES**

① LIGHTING CONTROLLER

**TABLE 1 - BIT FIELD MAPPING**

P1 PIN	X = CONNECTED TO PIN 4 (OR GROUNDED)															
1	X		X	X	X	X	X	X	X	X	X	X	X	X	X	X
2	X	X			X	X			X	X			X	X		
5	X	X	X	X					X	X	X	X				
6	X	X	X	X	X	X	X	X								
	5	10	15	20	25	30	36	44	52	60	70	75	80	90	96	100
	DIM MODE INTENSITY (% FULL BRIGHT) P1-7 NOT ENERGIZED															

**NOTES:**

- ALL WIRE TO BE MIL-22759/16 OR EQUIVALENT PER FAA AC43.13-1B, CHAP. 4, 6, 7, 10, 11, 12 AND AC43.13-2A, CHAP. 1, 2, 3, 11 AS REQUIRED.
- CLE PERFORMANCE IS SENSITIVE TO VOLTAGE DROP. ALL POWER AND CLE WIRING TO BE SIZED FOR 0.5V MAX LOSS PER CIRCUIT (PWR AND RTN). EACH CLC SHALL HAVE DEDICATED POWER LEADS TO BREAKER AND GROUND AS REQUIRED.
- CLE SERIES LIGHTING ELEMENTS ONLY AS PER PARTS LIST.
- DIM MODE INTENSITY (AS SET PER TABLE 1) IS ONLY VALID WHEN BRT/ DIM (PIN 7) INPUT IS OFF. THE DIM MODE INTENSITY CAN BE CONFIGURED AS A PRESET VALUE (WIRE STRAPS) OR VARIABLE INTENSITY USING A ROTARY ENCODER OR CABIN SYSTEM WITH BINARY INTERFACE. A PRESET DIM VALUE OF 30% (P1 PINS 2 AND 6 GROUNDED) IS TYPICAL.
- PARTS REF ONLY. NOT PROVIDED IN INSTALLATION KIT. ITEMS 8 AND 9 TO BE ORDERED SEPARATELY FOR CLE EXTENSION WIRING AS REQUIRED.

ITEM NO	QTY	PART NUMBER	DESCRIPTION	SPECIFICATION	NOTE
9	REF	CON308	CONTACT, CRIMP, PIN		⑤
8	REF	CON307	CONNECTOR, 2-WIRE, MALE		⑤
7	1	CON161	SCREW LOCK KIT, P1		
6	REF	CLE2XX-XX	CABIN LIGHT ELEMENT (CLE)		
5	4	CON315	CONTACT, CRIMP, SOCKET		
4	2	CON314	CONNECTOR, 2-WIRE, FEMALE		
3	6	CON248	CONTACT, POWER		
2	1	CON323	CONNECTOR, COMBO-D, 13W6		
1	1	CLC450-01	CABIN LIGHTING CNTR, (CLC)		

**PARTS LIST**

DWN: JOHN HEADER	DATE: 03/03/03	 2033 Chennault Dr. Ste. #100 Carrollton Tx 75006	<b>TYPICAL WIRE DIAGRAM, CLC450</b>
CHECK: JOHN HEADER	DATE: 03/03/03		
ENGR: JOHN HEADER	DATE: 03/03/03		
APPROVED: JOHN HEADER	DATE: 03/03/03		
RELEASED:	DATE:	SIZE: B DRAWING NO: CLC450-150 FILE: CLC450-150.vsd	REV: B SHT: 1 of 1