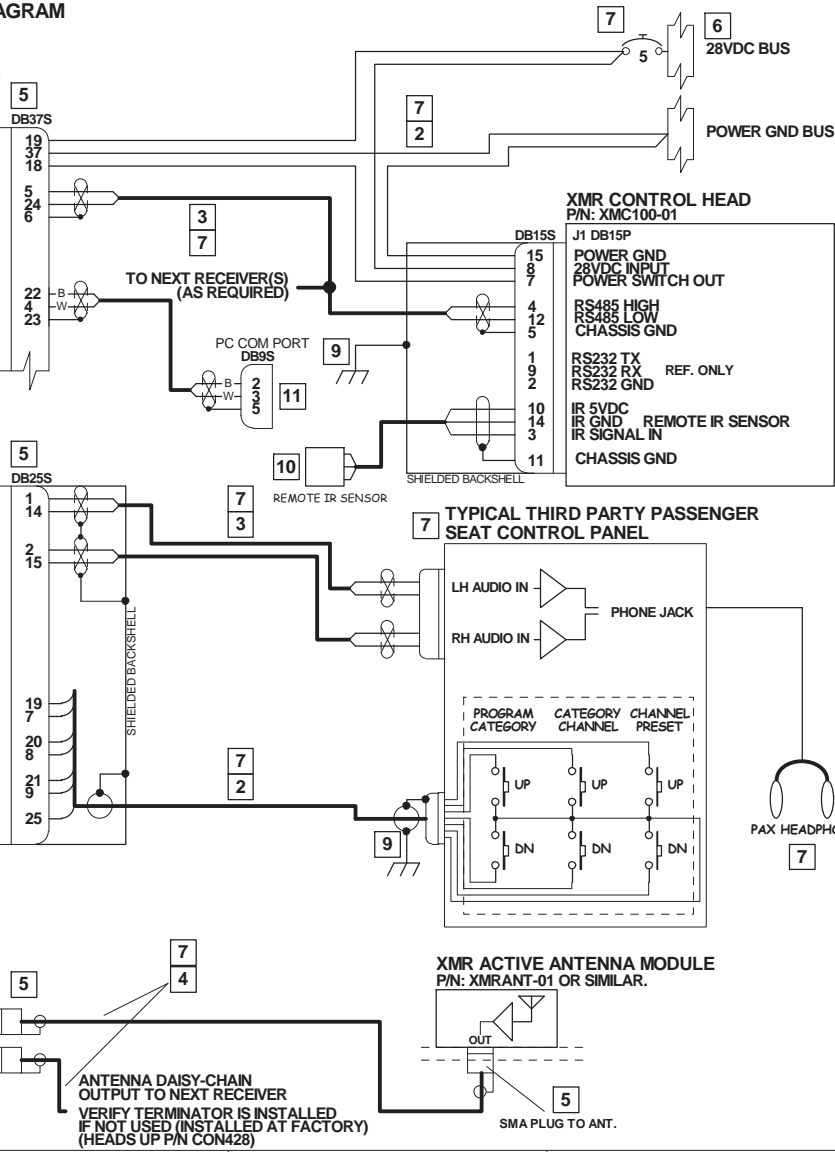
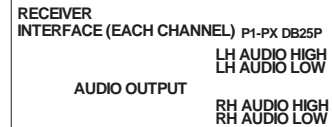
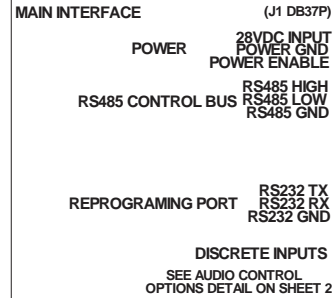


XMR TYPICAL WIRING REFERENCE DIAGRAM

XMR RECEIVER (1, 2, 4 OR 8 CHANNEL)
P/N: XMR(100/200/400/800)-01



REV	DESCRIPTION	DATE/BY
C	VOLUME UP/DN INPUTS CHANGED TO PRESET UP/DN. ADDED XMR400 AND XMR800 ONLY TO ANTENNA OUTPUT	10/27/03 / JDH
D	CHANGED PART NUMBER ON CONTROL HEAD. ADDED DWG NO TO NOTE. 10. ADDED TERMINATOR INSTALL NOTE. ADDED REPROGRAMMING CONNECTOR INSTALL NOTE	01/07/04 JDH
E	ADDED -02 CONTROL HEAD. UPDATED ANTENNA OUT INFO.	09/29/04 JDH
F	ADDED DISCRETE INPUTS INFO PER ECN 894 ON SHT 2. CORRECT PIN NOS. ON XMC RS232 (REF ONLY)	03/25/05 JDH
G	UPDATE NOTE 4. ADDED DISABLE ANNOUNCEMENTS CFG STRAP INPUT (SHT 2). ADDED "OR SIMILAR" TO ANTENNA	01/27/06 JDH
H	UPDATED NOTE 4.	03/31/06 JDH

NOTES: UNLESS OTHERWISE SPECIFIED

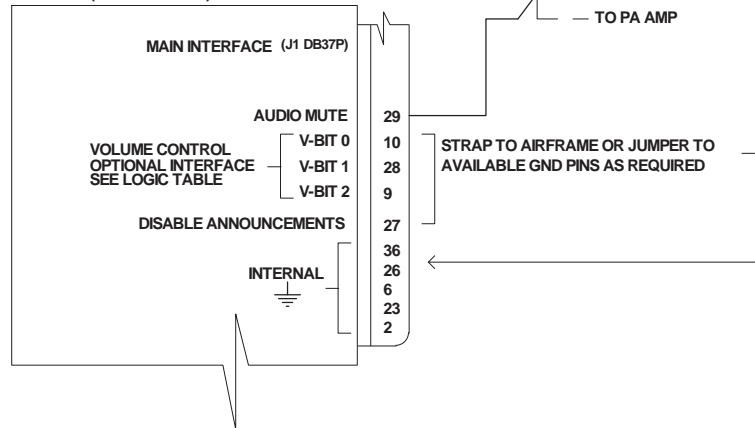
- ALL WIRING TO BE INSTALLED PER A/C MANF. SPECS AND/OR FAA AC-4313.
- ALL WIRE PER M22579/16-22 OR AS APPLICABLE.
- SHEILDDED/TWISTED CABLE PER M27500A24TE2T14 OR AS APPLICABLE.
- SATELLITE ANTENNA GAIN AT INPUT TO BE 22dB (+/- 2dB). REFER TO INSTALLATION MANUAL, XMR-3, REV. C OR LATER FOR ADDITIONAL INFORMATION AND REQUIREMENTS.
- CONNECTORS SHALL BE THE FOLLOWING, OR EQUIVALENT:
 (SMA PLUG) TYCO/AMP P/N 225532-3 (DB37S) M24308/2-4F (DB25S) M24308/2-3F (DB15S) M24308/2-2F (DB9S) M24308/2-4F
 OTHER CONNECTORS USED SHALL BE TBD BY INSTALLER.
- POWER BUS VOLTAGE SHALL NOT EXCEED RTC/A/DO160D CATEGORY Z
- SHOWN FOR REFERENCE ONLY. NOT INCLUDED IN SYSTEM AND TO BE SUPPLIED BY INSTALLER.
- MOUNTING STRUCTURE SHALL PROVIDE CHASSIS GROUND CONNECTION TO AIRFRAME.
- BACKSHELL MOUNTING SHALL PROVIDE CHASSIS GROUND CONNECTION TO AIRFRAME.
- REFER TO REMOTE IR INSTALLATION DIAGRAM DWG NO. XMC-3A.
- REPROGRAMMING JACK SHOULD BE LOCATED FOR USER MAINTENANCE ACCESS. CONNECTOR AND MOUNTING BRACKET ARE PROVIDED IN INSTALL KIT.

DRAWN: JOHN HEADER	DATE: 10/28/02	HEADS UP TECHNOLOGIES 2033 Chennault Dr, Suite 100 Carrollton, Texas 75006-9097
CHECKED: JIM ALEXANDERSON	DATE: 10/29/02	
ENGINEER: JOHN HEADER	DATE: 10/28/02	DESIGNER: JIM ALEXANDERSON
APPROVED: RON BURKEY	DATE: 10/28/02	SIZE: B
RELEASED: DAVID GROOS	DATE: 1/07/04	SHEET: 1 OF 2
		DRAWING NUMBER: XMR-3A
		REV: FILE: _Install\xmrm-3a receiver and control head wiring_H_SHT_1.asc

SHT 2

**XMR TYPICAL WIRING REFERENCE DIAGRAM
 OPTIONAL AUDIO PLAYBACK CONTROL INPUT DETAIL
 FOR PRODUCTS EQUIPPED WITH VER 1.16 OR LATER SOFTWARE**

XMR RECEIVER (1, 2, 4 OR 8 CHANNEL)
 P/N: XMR(100/200/400/800)-01



SHOWN AS EXAMPLE ONLY:

COCKPIT PA KEY
 (ACTIVE GND)

TO PA AMP

STRAP TO AIRFRAME OR JUMPER TO
 AVAILABLE GND PINS AS REQUIRED

V-BIT FUNCTIONAL LOGIC TABLE

V-BIT INPUTS			PWR-UP VOLUME	VOLUME CONTROL	VOLUME SAVED
V-BIT 0 J1-10	V-BIT 1 J1-28	V-BIT 2 J1-9			
OPEN	OPEN	OPEN	NORMAL	YES	NO
GND	OPEN	OPEN	-9dB	YES	NO
OPEN	GND	OPEN	+4.5dB	FIXED	N/A
GND	GND	OPEN	+9dB	FIXED	N/A
OPEN	OPEN	GND	NORMAL	FIXED	N/A
GND	OPEN	GND	-9dB	FIXED	N/A
OPEN	GND	GND	-15dB	FIXED	N/A
GND	GND	GND	AS STORED	YES	YES

		HEADS UP TECHNOLOGIES	
2033 Chenneault Dr., Suite 100 Carrollton, Texas 75006-5097			
DESCRIPTION WIRING REFERENCE DIAGRAM XMR RECEIVER AND CONTROL HEAD			
SIZE B	DRAWING NUMBER XMR-3A		
SHEET 2 OF 2	REV H	FILE ..\\install\\xmr-3a xmr receiver and control head wiring.r1_SHT 2.asc	