

4

3

2

1

HEADS UP TECHNOLOGIES, INC. PROPRIETARY
 THE INFORMATION CONTAINED HEREIN IS PROPRIETARY TO HEADS UP TECHNOLOGIES, INC. AND SHALL NOT BE DISCLOSED IN WHOLE OR IN PART OR USED FOR ANY PURPOSE EXCEPT WHEN SUCH USER POSSESSES DIRECT WRITTEN AUTHORIZATION FROM HEADS UP TECHNOLOGIES, INC.

NOTES: UNLESS OTHERWISE SPECIFIED:

- NOTES:
- 1.) DO-160E Env. Cat. [F2X]BBB[SBM]HXXXFXZ[BZ]AZ[ZC]RR[M]ZZXXXXXX
 - 2.) SOFTWARE MEETS THE REQUIREMENTS OF RTCA DO-178B, LEVEL E.
 - 3.) INSTALL PER INSTALLATION INSTRUCTIONS, HEADS UP TECHNOLOGIES DOCUMENT XMR050-3A.
 - 4.) NOMINAL VOLTAGE RANGE: 11-32 VDC
 MAX LOAD AT 13.8 VDC: 0.30 A
 MAX LOAD AT 27.5 VDC: 0.18 A
 - 5.) UNIT WEIGHT IS APPROX 1.17 LBS
 - 6.) THIS IS AN INSTALLATION CONTROL DRAWING THAT REFERENCES HEADS UP TECHNOLOGIES PART NUMBER XMR050-01
 - 7.) CHANGES OR MODIFICATIONS TO THIS DEVICE NOT EXPRESSLY APPROVED BY THE MANUFACTURER COULD VOID THE USERS AUTHORITY TO OPERATE THE EQUIPMENT.
 - 8.) FCC IDENTIFICATION: TGVXMSC63

REVISIONS			
REV	DESCRIPTION	DATE	APPROVED
A	CHANGE PER ECN 978.	9-14-05	D. CAPKA

D

D

C

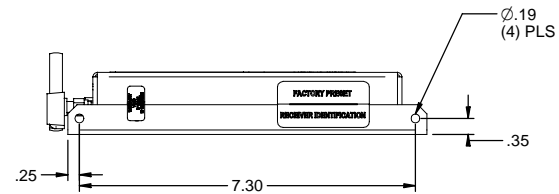
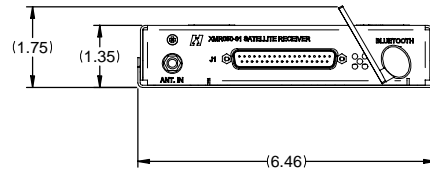
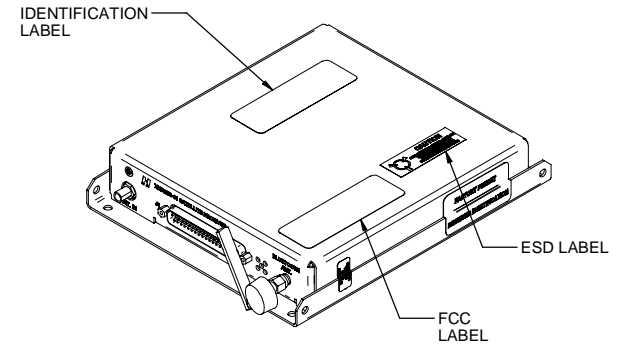
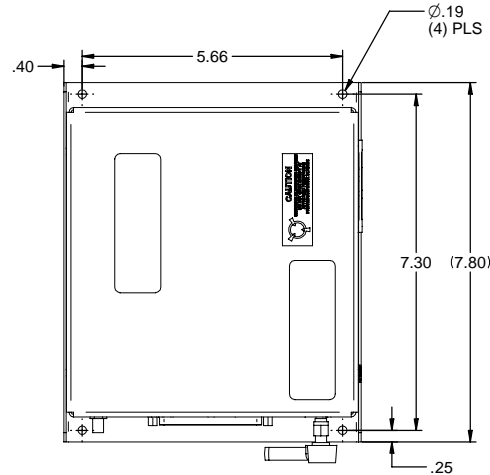
C

B

B

A

A



ITEM NO	QTY	PART NUMBER	DESCRIPTION	SPECIFICATION	NOTE
1	1	XMR050-01	ASSEMBLY DRAWING PACKAGE XMR050-01.ASM		

PARTS LIST					
UNLESS OTHERWISE SPECIFIED			DWG: D. CAPKA DATE: 7-29-05 CHECKED: D. CAPKA DATE: 7-29-05 ENGR: D. CAPKA DATE: 7-29-05 APPROVED: DATE:		
- DIMENSIONS ARE IN INCHES - INTERPRIT DRAWINGS PER ANSI Y14.5, 1994 - DEBURR - DIMENSIONS APPLY BEFORE FINISH PROCESSES - PARENTHEICAL INFO FOR REF ONLY - CONCENTRICITY MACHINED DIAMETERS - .010 TIR			HEADS UP TECHNOLOGIES 2033 Chermest Drive Suite 100 Carrollton, TX 75006 (972) 980-4880		
HOLE DIAMETER TOLERANCE .013 thru .004 +.004 .125 thru .001 +.005 .250 thru .001 +.006 .500 thru .001 +.008 1.000 thru .010 +.005 - .010 2.000 thru .001 +.008 - .001			TOLERANCES: ANGLES ± 1° .005 - ±.010 .001 - ±.002		
RELEASED: DATE: 7-29-05 SIGNATURES ON FILE			INTERFACE CONTROL DRAWING (ICD) XM BLUETOOTH RECEIVER		
USED ON NEXT ASSY			SIZE: C DRAWING NO: XMR050-01-ICD REV: A		
			PROJECT: SCALE: 1:1 SHEET 1 OF 1		

4

3

2

1