

4

3

2

1

CONNECTOR J1 – 37D PINS, KYCON P/N K44-C37P-S (SIMILAR TO M24308/24-28) MATES WITH – ITT P/N DCA37SA197FO

Pin	Function	Pin	Function
1	N/C	20	N/C
2	RS485 GND	21	RS485 HIGH
3	RS485 LOW	22	RS232 TX
4	RS232 RX	23	RS232 GND
5	RS485 HIGH	24	RS485 LOW
6	RS485 GND	25	CAN LOW
7	CAN HIGH	26	CAN GND
8	N/C	27	DISABLE ANNOUNCEMENTS
9	V-BIT 2	28	V-BIT 1
10	V-BIT 0	29	AUDIO MUTE
11	N/C	30	N/C
12	N/C	31	N/C
13	N/C	32	N/C
14	N/C	33	N/C
15	N/C	34	N/C
16	N/C	35	N/C
17	N/C	36	N/C
18	POWER ENABLE	37	POWER GND
19	28 VDC INPUT		

CONNECTORS (P1 thru P2) – 25D PINS, KYCON P/N KF44-B25P-S (SIMILAR TO M24308/24-27) MATES WITH – ITT P/N DBA25SA197FO

Pin	Function	Pin	Function
1	LH AUDIO HIGH	14	LH AUDIO LOW
2	RH AUDIO HIGH	15	RH AUDIO LOW
3	N/C	16	N/C
4	N/C	17	N/C
5	N/C	18	N/C
6	N/C	19	CHANNEL UP
7	CHANNEL DOWN	20	CATEGORY UP
8	CATEGORY DOWN	21	PRESET UP
9	PRESET DOWN	22	N/C
10	N/C	23	N/C
11	N/C	24	N/C
12	N/C	25	DISCRETE COMMON
13	N/C		

CONNECTOR ANTIN – SMA Jack, TYCO 1051942-1, MATES WITH – AMPEHNOL P/N 901-9876-RFX

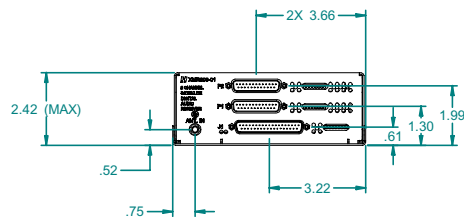
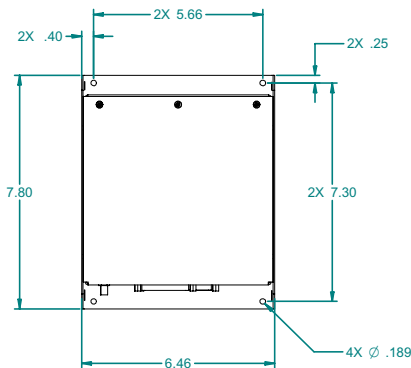
Pin	Function
1	ANTENNA IN (SMA JACK)

POWER REQUIREMENTS:

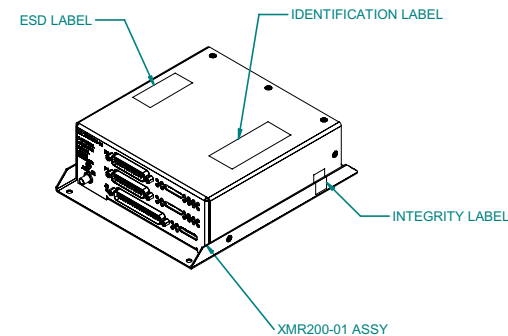
THE RECEIVER ASSEMBLY IS POWERED BY 28VDC WITH A NOMINAL CURRENT OF 0.6 AMPS AND 1.2 AMPS MAX.

MAXIMUM UNIT WEIGHT IS APPROX 2.30 LBS.

THIS IS AN INSTALLATION CONTROL DRAWING THAT REFERENCES HEADS UP TECHNOLOGIES PART# XMR200-01.



REVISIONS			
REV	DESCRIPTION	DATE	APPROVED
A	MODIFIED PINOUT TABLE	1-31-03	Dcapka
B	ADDED CONNECTOR INFORMATION	7-21-03	D. CAPKA
C	ADD LABEL ANNOTATIONS AND MAX WEIGHT	12-13-03	D. CAPKA
D	UPDATE TO J1 CONNECTOR PIN OUT INFO.	10-26-04	D. CAPKA
E	CHANGE PER ECN 2054.	1-9-08	D. CAPKA



QTY	ITEM NO	PART NUMBER	DESCRIPTION	SPECIFICATION	NOTES
PARTS LIST					
			UNLESS OTHERWISE SPECIFIED • DIMENSIONS ARE IN INCHES • TOLERANCES: ANGLES ± 1° 3 PLACE DECIMALS ±.010 2 PLACE DECIMALS ±.02 • INTERPRET DRAWING PER DDD-D-1000 • REMOVE ALL BURRS AND SHARP EDGES • CONCENTRICITY MACHINED DIAMETERS .010 FIM • DIMENSIONAL LIMITS APPLY BEFORE PROCESSES • PARENTHEetical INFO FOR REF ONLY	DWN: Dcapka DATE: 1-10-03 CHECK: Dcapka DATE: 1-10-03 ENGR: Dcapka DATE: 1-10-03	 INTERFACE CONTROL DRAWING (ICD) 2 CHANNEL XM RECEIVER
			HOLE DIAMETER TOLERANCE .013 +.004 THRU .001 .125 .501 +.008 THRU .001 1.000	APPROVED: SIGNATURE ON FILE RELEASED: SIGNATURE ON FILE	
	USED ON	NEXT ASSY	.501 +.008 THRU .001 1.000	CONTRACT:	SCALE: NONE REV: E SHEET 1 OF 1

4

3

2

1

D

C

B

A

D

C

A

B

C

A