

4

3

2

1

NOTE:

1.) IF "ANT OUT" IS UNUSED, INSTALL SMA PLUG TERMINATION (HUT P/N CON428). TORQUE TO 7-10 IN LBS (100 N cm).

REVISIONS			
REV	DESCRIPTION	DATE	APPROVED
A	MODIFIED PINOUT TABLE	1-31-03	G. SNYDER
B	ADDED CONNECTOR INFORMATION	7-21-03	D. CAPKA
C	ADDED NOTE 1.	9-15-03	D. CAPKA
D	ADDED LABEL INFORMATION. CHG 4.60 MAX WAS 4.55 MAX.	2-20-04	D. CAPKA
E	UPDATE TO J1 CONNECTOR PIN OUT INFO.	10-26-04	D. CAPKA
F	CHANGE PER ECN 2054.	1-9-08	D. CAPKA

CONNECTOR J1 – 37D PINS, KYCON P/N KF44-C37P-S (SIMILAR TO M24308/24-28) MATES WITH – ITT P/N DCA37SA197FO

Pin	Function	Pin	Function
1	N/C	20	N/C
2	RS485 GND	21	RS485 HIGH
3	RS485 LOW	22	RS232 TX
4	RS232 RX	23	RS232 GND
5	RS485 HIGH	24	RS485 LOW
6	RS485 GND	25	CAN LOW
7	CAN HIGH	26	CAN GND
8	N/C	27	DISABLE ANNOUNCEMENTS
9	V-BIT 2	28	V-BIT 1
10	V-BIT 0	29	AUDIO MUTE
11	N/C	30	N/C
12	N/C	31	N/C
13	N/C	32	N/C
14	N/C	33	N/C
15	N/C	34	N/C
16	N/C	35	N/C
17	N/C	36	N/C
18	POWER ENABLE	37	POWER GND
19	28 VDC INPUT		

CONNECTORS (P1 thru P4) – 25D Pins, KYCON P/N KF44-B25P-S (SIMILAR TO M24308/24-27) MATES WITH – DBA25SA197FO

Pin	Function	Pin	Function
1	LH AUDIO HIGH	14	LH AUDIO LOW
2	RH AUDIO HIGH	15	RH AUDIO LOW
3	N/C	16	N/C
4	N/C	17	N/C
5	N/C	18	N/C
6	N/C	19	CHANNEL UP
7	CHANNEL DOWN	20	CATEGORY UP
8	CATEGORY DOWN	21	PRESET UP
9	PRESET DOWN	22	N/C
10	N/C	23	N/C
11	N/C	24	N/C
12	N/C	25	DISCRETE COMMON
13	N/C		

CONNECTOR ANTIN – SMA Jack, TYCO P/N 1051942-1 MATES WITH – AMPHENOL P/N 901-9876-RFX

Pin	Function
1	ANTENNA IN (SMA JACK)

CONNECTOR ANTOUT – SMA Jack, TYCO P/N 1051942-1 MATES WITH – AMPHENOL P/N 901-9876-RFX

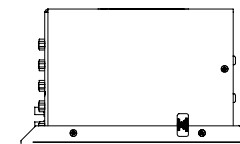
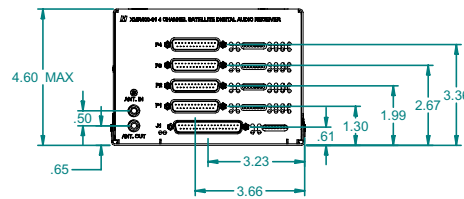
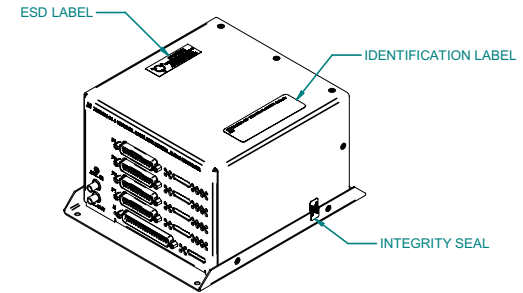
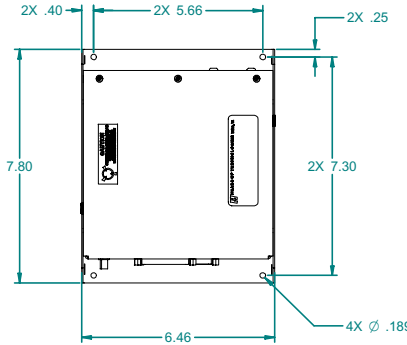
Pin	Function
1	ANTENNA OUT (SMA JACK)

POWER REQUIREMENTS:

THE RECEIVER ASSEMBLY IS POWERED BY 28VDC WEIGHT WITH A NOMINAL CURRENT OF 1 AMP AND 2 AMPS MAX.

MAXIMUM UNIT WEIGHT IS APPROX 3.5 LBS.

THIS IS AN INSTALLATION CONTROL DRAWING THAT REFERENCES HEADS UP TECHNOLOGIES PART# XMR400-01.



QTY	ITEM NO	PART NUMBER	DESCRIPTION	SPECIFICATION	NOTES
PARTS LIST					
UNLESS OTHERWISE SPECIFIED • DIMENSIONS ARE IN INCHES • TOLERANCES: ANGLES ± 1° 3 PLACE DECIMALS ± 0.10 2 PLACE DECIMALS ± 0.02			DWN: Dcapka DATE: 1-31-03		
• INTERPRET DRAWING PER DDD-D-1000 • REMOVE ALL BURRS AND SHARP EDGES • CONCENTRICITY MACHINED DIAMETERS .010 FIM • DIMENSIONAL LIMITS APPLY BEFORE PROCESSES • PARENTHEetical INFO FOR REF ONLY			CHECK: Dcapka DATE: 1-31-03		
HOLE DIAMETER TOLERANCE .013 + .004 - .008 THRU .001 - .001 THRU .001 - .001 .125 + .001 - .001 THRU .001 - .001			ENGR: Dcapka DATE: 1-31-03		
.501 + .008 - .001 THRU 1.000 - .001			APPROVED: SIGNATURE ON FILE DATE: 1-31-03		
.751 + .010 - .001 THRU 2.000 - .001			RELEASED: SIGNATURE ON FILE DATE: 1-31-03		
USED ON		NEXT ASSY		CONTRACT:	
				PROJECT:	
			 2033 Chenault Drive Suite 100 Carrington, TX 75006 (872) 407-1131		
			INTERFACE CONTROL DRAWING (ICD) 4 CHANNEL XM RECEIVER		
SIZE: B		FILENAME: XMR400-01-ICD_F.dwg		DRAWING NO: XMR400-01-ICD	
SCALE: NONE		REV: F		SHEET 1 OF 1	

4

3

2

1